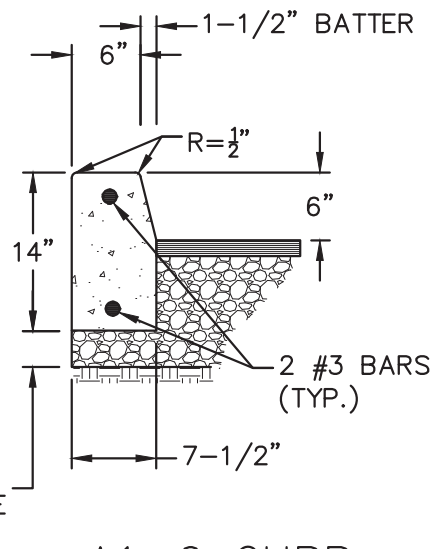
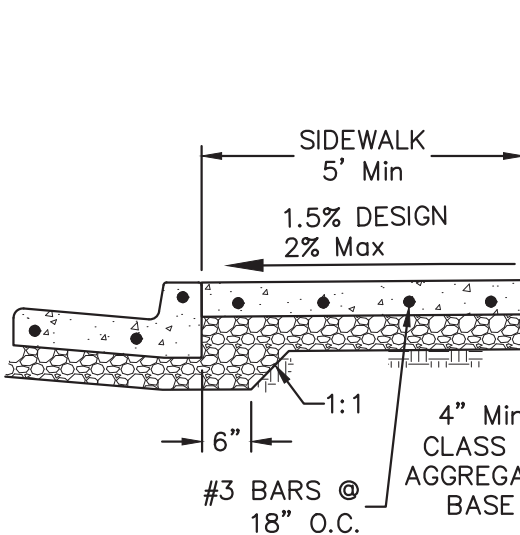


STANDARD CURB AND GUTTER

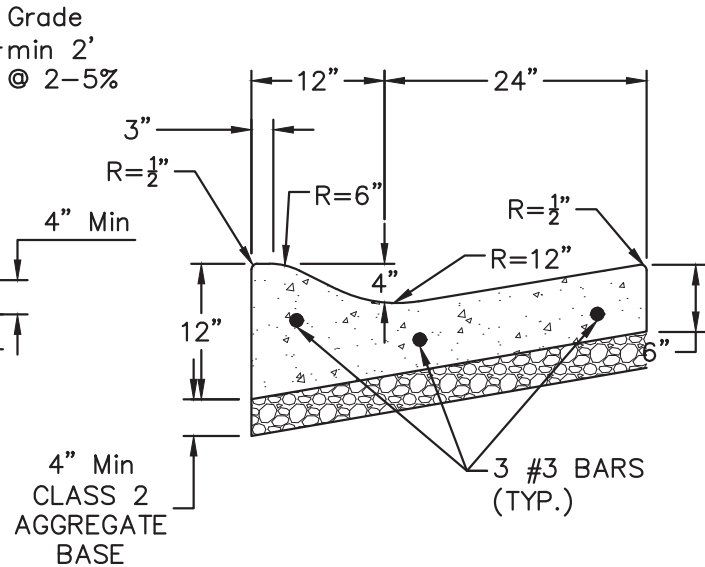


A1-6 CURB

NOTE: ALL LONGITUDINAL #3 BAR REINFORCEMENT SHALL BE CONTINUOUS OVER THE LENGTH OF NEW CONSTRUCTION.



SIDEWALK



ROLLED CURB AND GUTTER

NOTES:

1. CONCRETE SHALL BE MINOR CONCRETE. CONTAINING SIX SACKS OF CEMENT PER CUBIC YARD MEETS THIS CRITERION.
2. BASE MATERIAL SHALL BE COMPACTED TO A RELATIVE COMPACTION OF 95%.
3. SEE DRAWING NO. 222 FOR REQUIREMENTS RELATED TO WEAKENED PLANES, SCORE MARKS AND EXPANSION JOINTS.
4. WHEN JOINING TO EXISTING SIDEWALKS AND CURBS, DRILL 12" INTO EXISTING SIDEWALKS AND CURBS AND PLACE No.4x24" STEEL BAR INTO EXISTING AND NEW CONCRETE CURB AND GUTTER.
5. WHEN REMOVING EXISTING SIDEWALK, REMOVAL SHALL EXTEND TO THE NEAREST SCORE MARK OR EXPANSION JOINT. SEE DRAWING NO. 223 FOR JOINT REQUIREMENTS.

COUNTY OF SONOMA
DEPARTMENT OF TRANSPORTATION
AND PUBLIC WORKS

CURB, GUTTER AND SIDEWALK

DATE: MAY 2004

REVISED: JUNE 2023

APPROVED BY:

JH

SCALE:
NONE

DRAWING NO.
220