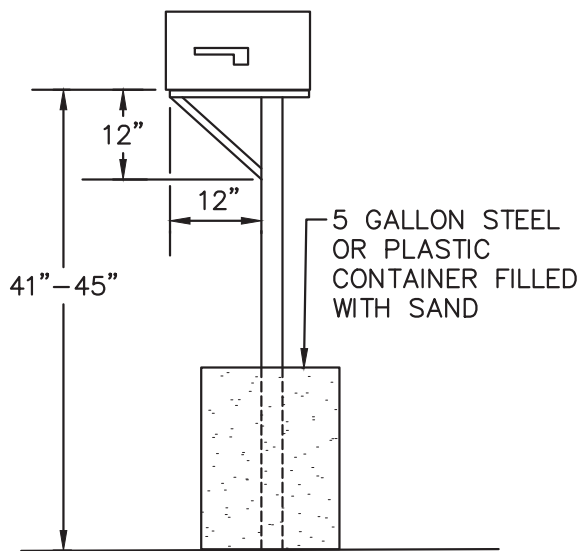
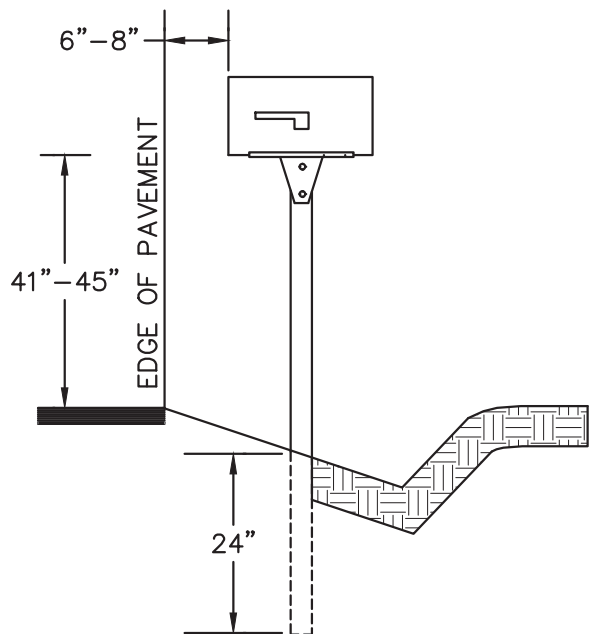


ALTERNATE INSTALLATION
SINGLE MAILBOX ONLY



TEMPORARY INSTALLATION

NOTES:

1. POSTS SHALL BE 4X4 PRESSURE TREATED CONFORMING TO SECTION 57-2 OF CALTRANS SPECIFICATIONS. SUPPORTS AND BRACE SHALL BE 2X4 REDWOOD S4S. NAILS SHALL BE 12d GALVANIZED.
2. THE DIMENSION FOR 'L' SHALL BE DETERMINED BY THE ENGINEER TO MEET FIELD CONDITIONS.

COUNTY OF SONOMA
DEPARTMENT OF TRANSPORTATION
AND PUBLIC WORKS

MAILBOX INSTALLATION
WITH WOODEN POST

DATE: MAY 2004	REVISED: JULY 2018	
APPROVED BY: JH	SCALE: NONE	DRAWING NO. 306