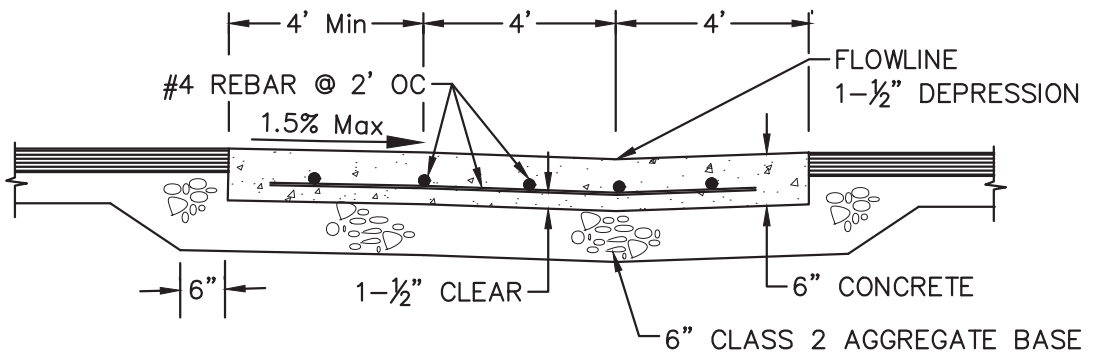


PLAN



SECTION A-A

NOTES:

1. CONCRETE SHALL BE CLASS 2. CONCRETE CONTAINING SIX SACKS OF CEMENT PER CUBIC YARD MEETS THIS CRITERION.
2. AGGREGATE BASE SHALL BE COMPACTED TO A RELATIVE COMPACTION OF 95%.
3. WEAKENED PLANE JOINTS AND EXPANSION JOINTS. SEE DETAILS ON DRAWING NO. 222.
4. THE CROSS SLOPE OF THE PEDESTRIAN CROSSING SHALL NOT EXCEED 1.5% Max.

COUNTY OF SONOMA
DEPARTMENT OF TRANSPORTATION
AND PUBLIC WORKS

VALLEY GUTTER TYPE
CROSS GUTTER
FOR PUBLIC ROADS

DATE: MAY 2004	REVISED: JULY 2018
APPROVED BY: JH	SCALE: NONE DRAWING NO. 406